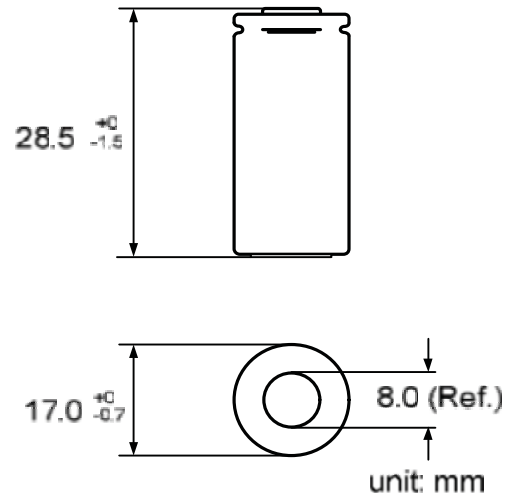
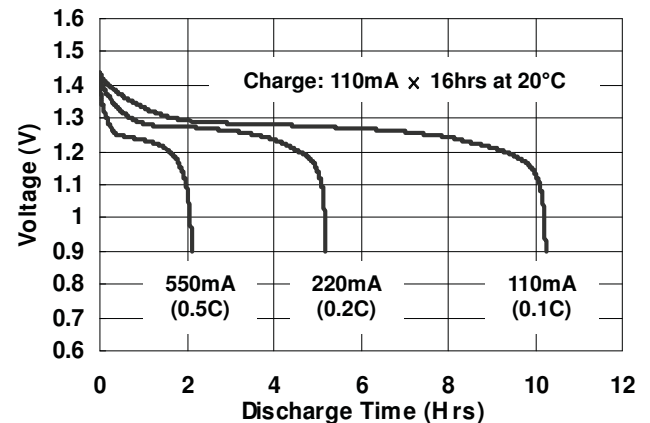


<b>Type</b>	: Rechargeable Nickel Metal Hydride Cylindrical Cell
<b>Nominal Dimension (with Sleeve)</b>	: $\Phi = 17.0\text{mm}$ H = 28.5mm
<b>Applications</b>	: Recommended discharge current: 110mA to 3300mA
<b>Nominal Voltage</b>	: 1.2V
<b>Capacity</b>	: Nominal: 1100mAh Minimum: 1100mAh Typical: 1133mAh When discharged at 220mA to 1.0V at 20°C
<b>Charging Condition</b>	: 110mA for 16hrs at 20°C
<b>Fast Charge</b>	: 550mA to 1100mA (0.5C to 1C) charge termination control recommended control parameters: - $\Delta V$ : 0-5mV DT/dt : 0.8°C/min(0.5C to 0.9C) 0.8 - 1°C /min(1C) TCO : 45-50°C Timer : 105% nominal input (for ref. only)
<b>Service Life</b>	: >500 cycles (IEC standard)
<b>Continuous Overcharge</b>	: 110mA maximum current for 1 year No conspicuous deformation and/or no leakage
<b>Weight</b>	: 21.0g
<b>Internal Resistance</b>	: Average 30 m $\Omega$ upon fully charged (Max. 40 m $\Omega$ ) at 1000Hz
<b>Max. Charging Voltage</b>	: 1.5V at 110mA charging
<b>Ambient Temperature Range</b>	: Standard Charging : 0 to 45°C Fast Charging : 10 to 45°C Discharge : -20 to 50°C Storage : -20 to 35°C Storage (1 week) : -20 to 60°C

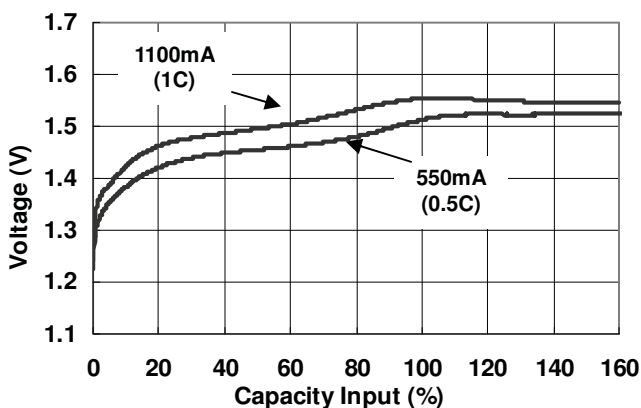
### Model No.: GP110AFH



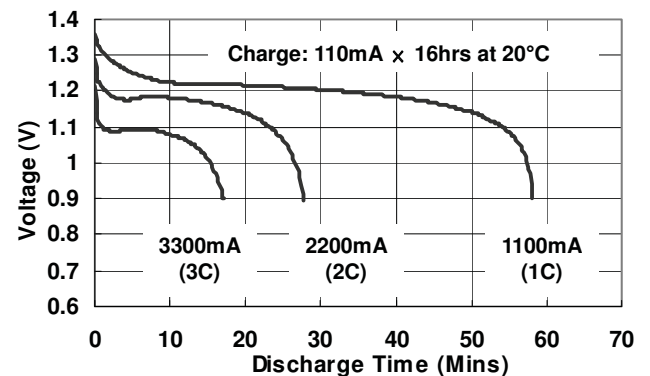
### Low Rate Discharge



### Fast Charge (Charge Control Required)



### High Rate Discharge



The information (subject to change without prior notice) contained in this document is for reference only and should not be used as a basis for product guarantee or warranty. For applications other than those described here, please consult your nearest GP Sales and Marketing Office or Distributors.

MRS1143 rev01