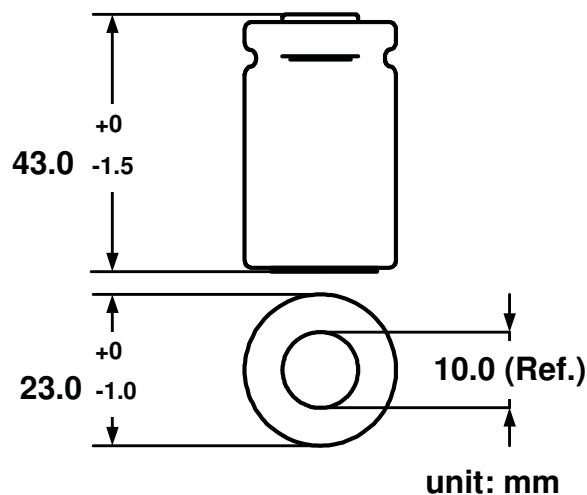
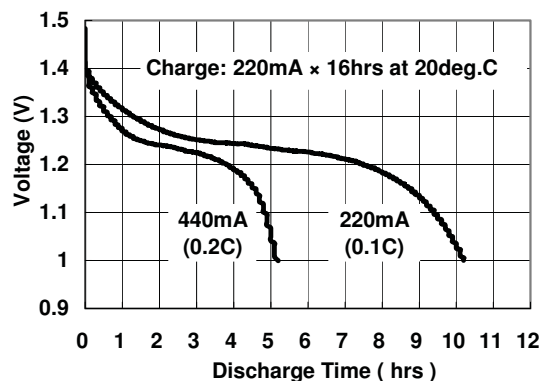


### Model No.: GP220SCHT

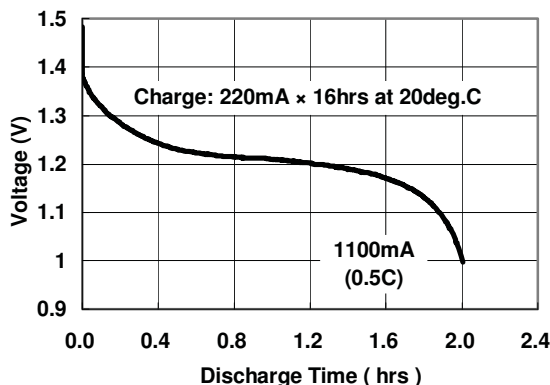
<b>Type</b>	: High Temperature Rechargeable Nickel Metal Hydride Cylindrical Cell
<b>Nominal Dimension (with Sleeve)</b>	: $\Phi = 23.0\text{mm}$ H = 43.0mm
<b>Applications</b>	: Long term standby use. Recommended discharge current: 220mA to 1100mA
<b>Nominal Voltage</b>	: 1.2V
<b>Capacity</b>	: Rated: 2200mAh Typical: 2310mAh When discharged at 440mA to 1.0V at 20°C
<b>Charging Condition</b>	: Standard mode: 220mA for 16 hrs at 20°C Standby intermittent mode: 220mA for 16 hrs at 20°C then maintenance with 220mA for 1mins/10mins.
<b>Charging Retention</b>	: 80% of rated capacity after cell storage at 20°C for 12 months When discharged at 440mA to 1.0V at 20°C
<b>Service Life</b>	: >500 cycles (IEC standard)
<b>Continuous Overcharge</b>	: Comply with IEC standard Permanent Charge Endurance Test
<b>Weight</b>	: 53.0g
<b>Internal Resistance</b>	: Average 23 m $\Omega$ upon fully charged (Max. 30m $\Omega$ ) at 1000Hz
<b>Max. Charging Voltage</b>	: 1.6V at 220mA charging
<b>Ambient Temperature Range</b>	: Charge: 0 to 50°C Discharging: -20 to 70°C Storage: -20 to 35°C Storage (1 week): -20 to 60°C



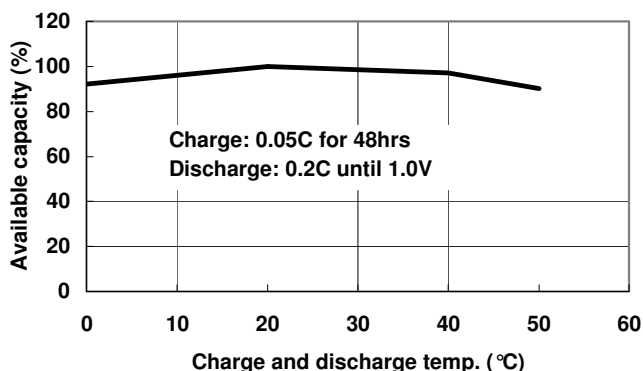
#### Low Rate Discharge



#### High Rate Discharge



#### Charge & Discharge efficiency Vs. temp.



The information (subject to change without prior notice) contained in this document is for reference only and should not be used as a basis for product guarantee or warranty. For applications other than those described here, please consult your nearest GP Sales and Marketing Office or Distributors.