

1

2

3

4

A

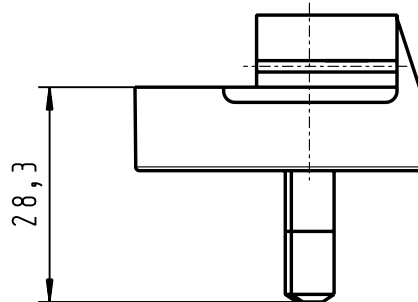
Australien Stecker (Max. Strombelastbarkeit der Stecker 2,5A)  
Australia plugs (Max. current-carrying capacity of the plugs 2,5A)

B

Australia plug for MMP30 and MPP6

Packed in polybag: 1804237

Without polybag : 1812152



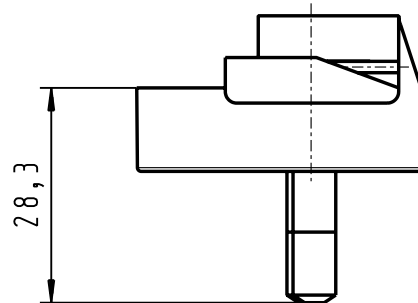
Stecker gekennzeichnet: "11.8593/AUS"  
Plug marked: "11.8593/AUS"

C

Australia plug for MPP15

Packed in polybag: 1800496

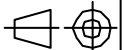
Without polybag : 1814519



Stecker gekennzeichnet: "11.8593/AUS"  
Plug marked: "11.8593/AUS"

D

E



F

				General Tolerance	Scale	Filename: &dwg_name	Part No.1804237
				&TOL_DIN	1 : 1	(Material)	
			2005	Date	Name	(Description)	
			Author	08.15	Weihoa	Australian Plug	
			Appr.				
				Archiving No.			
						(Drawing No.)	Sheet
						905-1804237	1 of 1
Ver.	Change Note	Date	Name	Power Solutions		sub. for:	

**FRIWO**

1

2

3

4

A

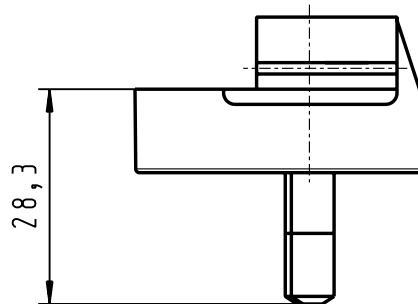
Australien Stecker (Max. Strombelastbarkeit der Stecker 2,5A)  
Australia plugs (Max. current-carrying capacity of the plugs 2,5A)

B

Australia plug for MMP30 and MPP6

Packed in polybag: 1804237

Without polybag : 1812152



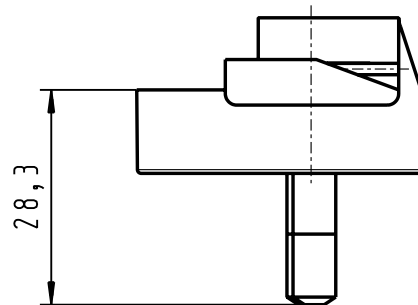
Stecker gekennzeichnet: "11.8593/AUS"  
Plug marked: "11.8593/AUS"

C

Australia plug for MPP15

Packed in polybag: 1800496

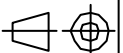
Without polybag : 1814519



Stecker gekennzeichnet: "11.8593/AUS"  
Plug marked: "11.8593/AUS"

D

E



F

				General Tolerance	Scale	Filename: &dwg_name	Part No.1804237
				&TOL_DIN	1 : 1	(Material)	
				2005 Date	Name	(Description)	
				Author 08.15	Weihoa	Australian Plug	
				Appr.			
				Archiving No.			
				<b>FRIWO</b>		(Drawing No.)	Sheet
						905-1804237	1 of 1
Ver.	Change Note	Date	Name	Power Solutions	sub. for:		