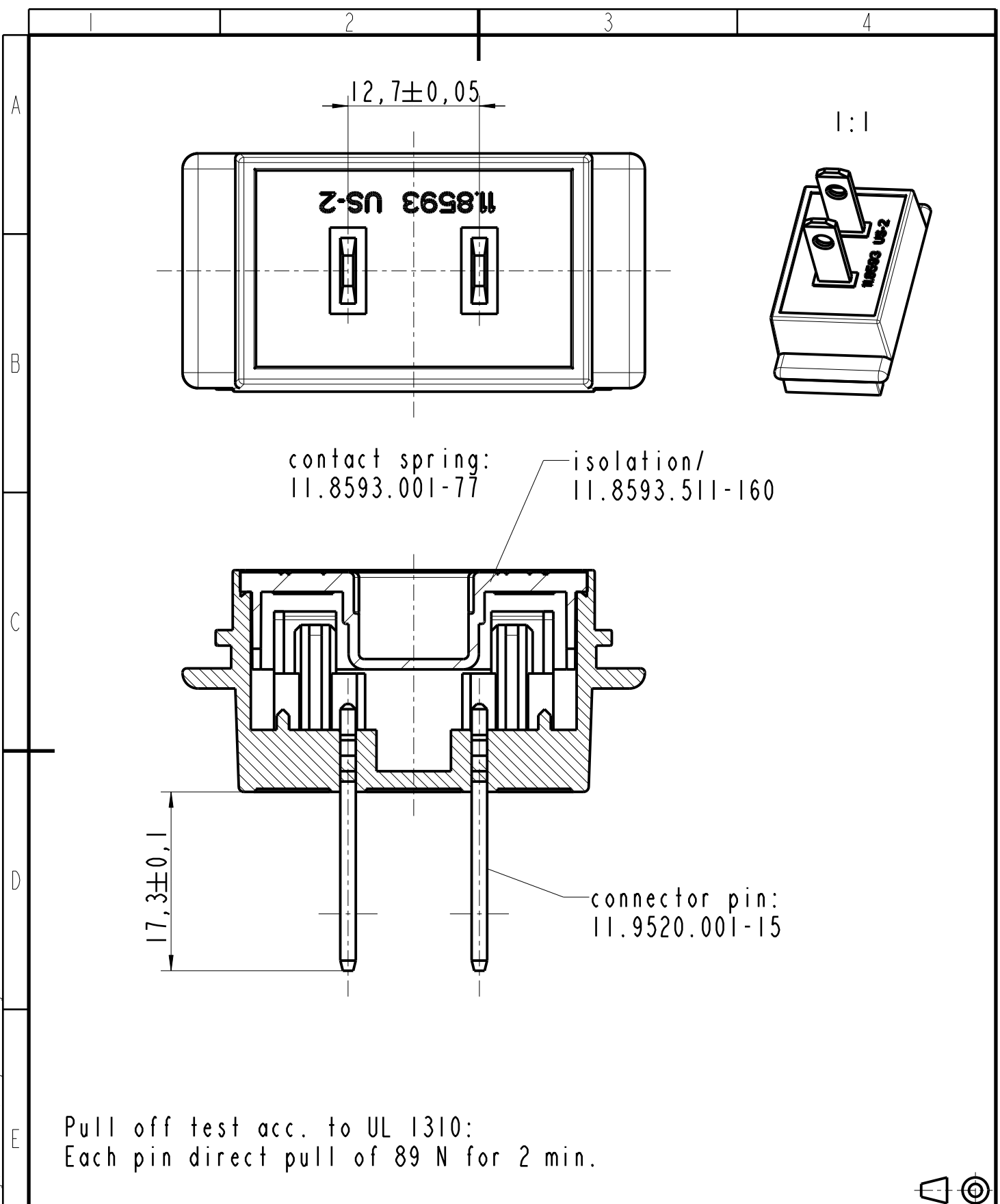


Copying of this document, and giving it to others and the use or communication of the contents thereof, are forbidden without express authority. Offenders are liable to the payment of damages. All rights are reserved in the event of the grant of a patent or the registration of a utility model or design.



		<i>Allgemeintoleranzen DIN</i>		<i>Maßstab</i> 2:1	<i>Dateiname:</i> 151307_501_06	<i>EDV-Nr.:</i> 1812156
		2001 <i>Datum</i>		<i>Name</i>	<i>(Werkstoff)</i>	
		Bearb. 15.11.		Mueller	<i>(Benennung)</i>	
		<i>Gepr.</i>			Plug US assembled	
		<i>Norm</i>				
		<i>lfd. Nr.</i> 34225			<i>(Zeichnungsnummer)</i>	
				15.1307.501-06		<i>Blatt</i> 1
						1 Bl.
<i>a</i>	CN 134223	30.01.03	Hom.			
<i>Zust</i>	<i>Änderung</i>	<i>Datum</i>	<i>Name</i>	<i>urspr. lfd. Nr.</i> 2345	<i>Ers.f.:</i>	<i>Ers.d.:</i>