



| | |
|--|----------------|
| Firma / Company : | Distribution |
| Gerätetyp / Type : | FW7710/UK/0.7 |
| Artikelnr. / Part-No. : | 1832723 |
| Zeichnungsnr. / Drawing-No. : | 15.3126.511-00 |
| Datum / Date : | Mar.18.2010 |
| Sachbearbeiter Verkauf / Contact Sales : | Werk |
| Sachbearbeiter Mechanik / Contact Mech. Eng. : | FEWHJG |
| Sachbearbeiter Elektronik / Contact Elec. Eng. : | FEKVZU |
| Freigabe App. / Approved App. | FEPAZH |
| Freigabe / Approved | FELCCH |

Wir bitten Sie, ein Exemplar mit Freigabevermerk an uns zurückzusenden. Sollten Sie dieser Spezifikation nicht unverzüglich widersprechen, gilt die Zustimmung und Fertigungsfreigabe auf Grundlage dieser Spezifikation als erteilt.

We may ask you to return one signed copy of this specification for our records as having your approval. Unless you do not enter your objection to the latest specification issue without delay, your acceptance and release for production on the basis of this specification is deemed to be given.

Kundenfreigabe / Customer Release

Datum / Date:

Unterschrift / Signature:

| Index / Rev. | Datum / Date | Name | Einzelheit / Detail |
|--------------|--------------|-------------|--|
| © | 2010/03/18 | Heaven.Li | MR2010-1-1270:change the tampoprint(Add VDE ENEC10 mark) |
| ④ | 2010/06/21 | Thomas Kuhn | MR2010-0-1691:change the bottom printing(add WEEE Sign) |
| ⑤ | 2010/11/23 | Kevin Zhou | MR2010-1-2368:1,add efficiency level ;2,add MTBF(200,000 hours mi... |
| ① | 2011/11/10 | Sarah Liu | MR2011-1-2105:update inner package drawing |
| ⑨ | 2012/03/01 | Kuhn | MR2012-0-1173: Add the printing of folding box, see point 3.1. |

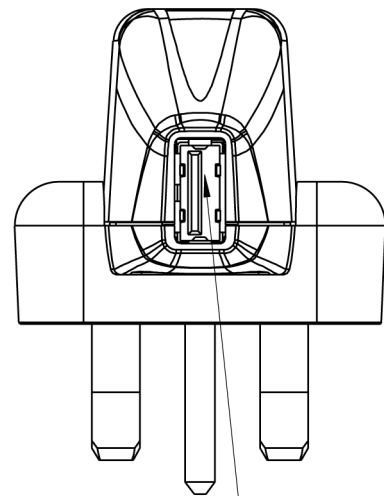
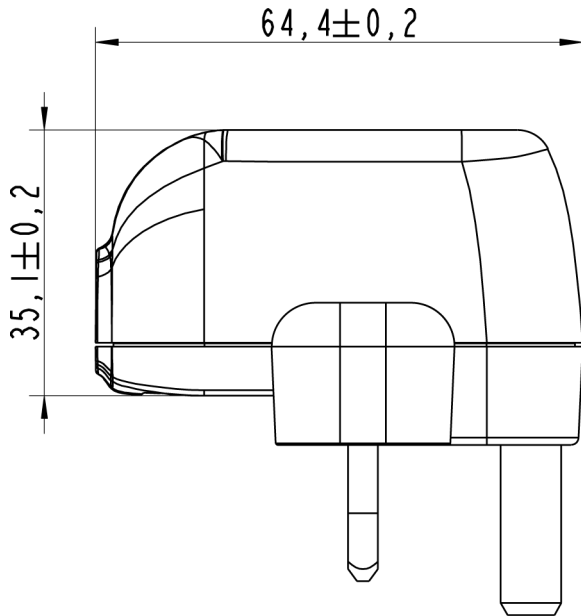
Geschäftssitz / Headquarter
 FRIWO Gerätebau GmbH
 Von-Liebig-Straße 11
 D-48346 Ostbevern
 Tel +49 2532/ 81-0
 Fax +49 2532/ 81-112
 www.friwo.de
 WEEE-Reg.-Nr. DE 70846847

Geschäftsführung / Management Board
 Felix Zimmermann
 Peter Vogt
 Klaus Schilling
 St.-Nr. 346/5840/0923
 Finanzamt Warendorf
 USt.-Ident.-Nr. DE811114890
 Amtsgericht Münster
 HRB 9325

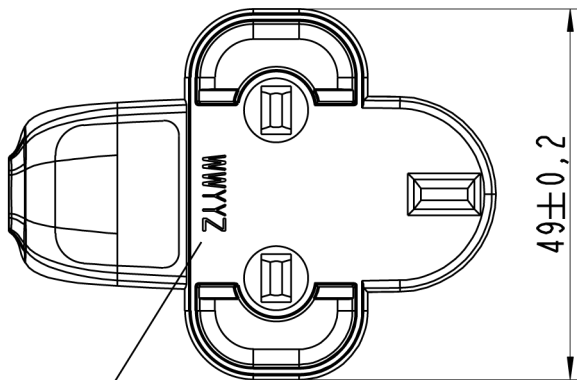
Bankverbindung / Bank Details
 Sparkasse Münsterland-Ost
 BLZ 400 501 50 (EUR) Kto. 5 000 526
 IBAN DE42 4005 0150 0005 0005 26
 BLZ 400 501 50 (USD) Kto. 86 0000 23
 SWIFT WELADED1MST
 Commerzbank AG, Frankfurt a. M.
 BLZ 500 400 00 Kto. 5 811 419
 IBAN DE05 5004 0000 0581 1419 00

1 Gehäuse / Housing:

Gehäusetyp / housing-typ: PP-USBA
 Material: PC / ABS V0 125 C
 Farbe Boden/ bottom colour: schwarz / black
 Farbe Deckel/ cover colour: schwarz / black



USB socket "A" type



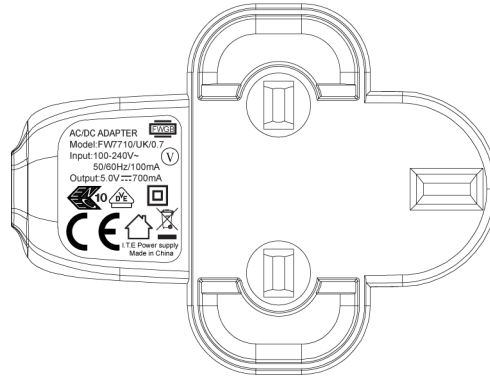
Date code:
 W=Week; Y=Year;
 Z=Factory code

2 Gehäuseaufschriften / Housing labelling:

2.1 Bodenbeschriftung / Bottom labelling

2.1.1

15.3126.501-04FO



3 Verpackung / packaging:

3.1 Einzelverpackung / individual packaging: 15.3053.556-01

mit Beschriftung * / with printing *

* AC/DC ADAPTER
SPEC.- NO.: 15.3126.
PART- NO.: 1832723
OUTPUT: 5V DC/ 0,7A
INPUT: 100-240V AC

3.1.1 Aussenabmessungen / Outer dimensions: 68mm x 69mm x 51mm

3.2 Sammelverpackung / bulk packaging: 56 er UMKARTON / Carton 56

3.2.1 Aussenabmessungen / Outer dimensions: 433mm x 338mm x 356mm

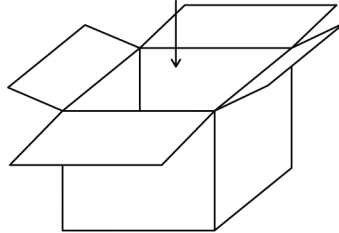
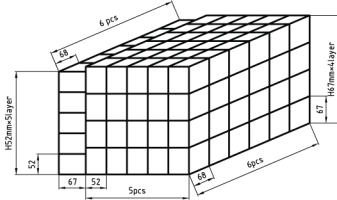
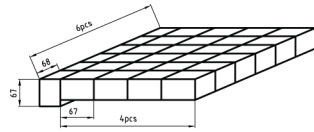
3.3 Anzahl der Geräte pro Umkarton / amount of units per master carton: :180

3.4 Gewicht pro Stück / weight per unit: 40 g

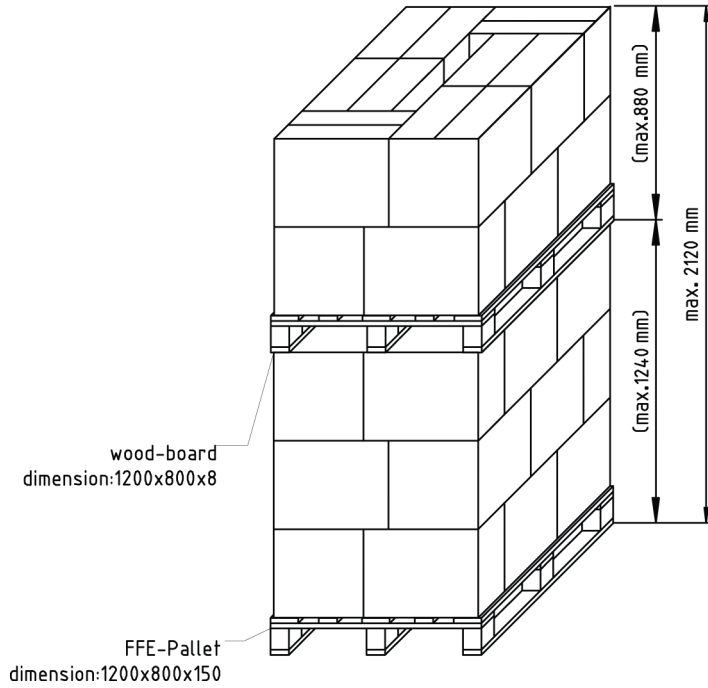
3.5 Lagertemperatur / storage temperature: -20°C - +70°C / 5 to 95 rel. hum.

3.6 Verpackungsvorschriften / packaging specification:

Inner Package



Pallet Package



Notes:

- 1) 180 pcs per carton
- 2) 6 carton per layer
- 3) 2 layer per pallet
- 4) total 2160 pcs per 2-layer-pallet

Notes:

- 1) 180 pcs per carton
- 2) 6 carton per layer
- 3) 3 layer per pallet
- 4) total 3240 pcs per 3-layer-pallet

1 stack (2-layer-pallet and 3-layer-pallet)
= (2160 pcs. + 3240 pcs.)
= 5400 pcs per stack

22 pallets (11 stacks of each type)
=59400 pcs. per 20ft container

48 pallets (24 stacks of each type)
=129600 pcs. per 40ft container

4 Allgemeine Prüfbedingungen / General test conditions:

4.1 In einem Bereich der Umgebungstemperatur von 0°C bis +40°C bei 90% relativer Luftfeuchte, keine Betauung, muss die einwandfreie Funktion des Gerätes gewährleistet sein.

Within an ambient temperature range from 0°C to +40°C at 90% relative humidity, no condensation, the faultless function of the unit must be guaranteed.

5 Elektrische Prüfbedingungen / electrical tests:

5.1 Alle nachstehend aufgeführten Werte werden bei +20°C Raumtemperatur und nach 15 Minuten Einschaltdauer gemessen.

All values listed below are measured at an ambient temperature of +20°C and after 15 minutes of operation.

5.2 Eingangsdaten / Input data:

5.2.1 Nenneingangsspannung : 100-240V AC ± 10%
Nominal input voltage : 100-240V AC ± 10%

5.2.2 Nenneingangsfrequenz : 50-60Hz
Nominal input frequency : 50-60Hz

5.2.3 Leerlaufleistungsaufnahme bei U_E : 230V AC : ≤ 0.3W
Stand-by power consumption at U_{in} : 230V AC : ≤ 0.3W

5.3 Ausgangsdaten / Output data

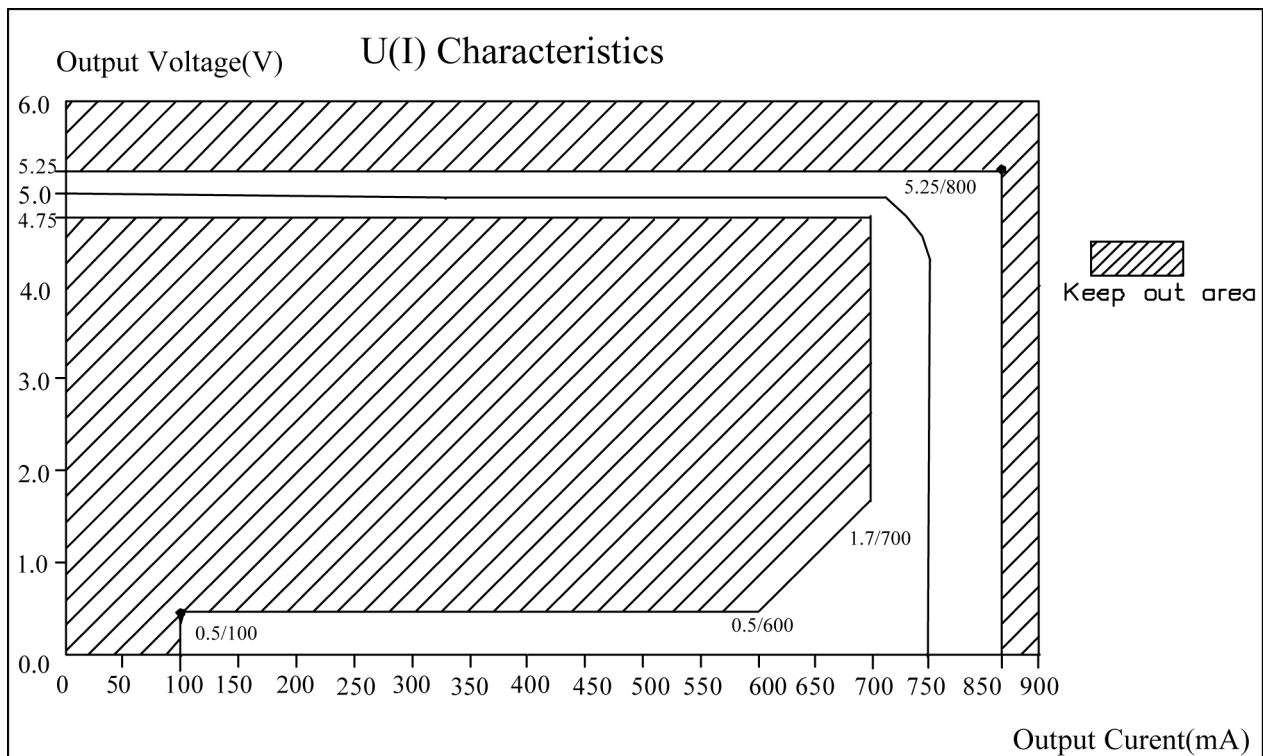
Messaufbau siehe / Measuring setup see <http://www.friwo.de>

5.3.1 Ausgangsspannung: U_A : 5V DC +5% / -5% U_{Br} : ≤ 300mVss
Nominal output voltage: U_{out} : 5V DC +5% / -5% U_{Br} : ≤ 300mVpp

Ripple&Noise Test: Add 0.1uF/50V ceramic capacitor in parallel with a 10uF/16V E-Cap across the output terminal. Measured with 20MHz Bandwidth Oscilloscope. Ripple&Noise should be less than 300mV_{p-p}.

5.3.2 Nennausgangsstrom : I_A : 700mA
Nominal output current : I_{out} : 700mA

5.3.3 Ausgangskennlinie / Output characteristic:

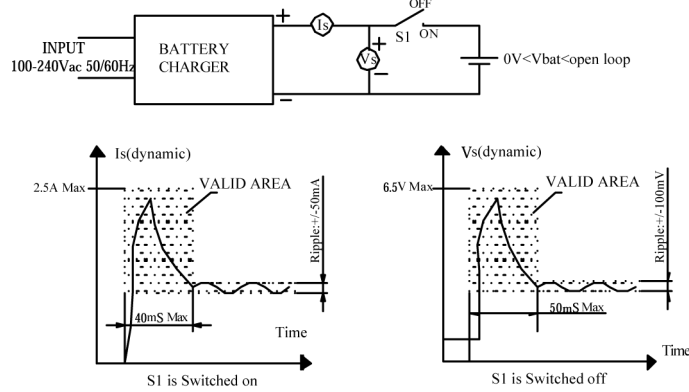


5.4 Efficiency

The efficiency should meet energy star level "V".

5.5 Dynamic output Template

The output current and voltage during transients shall meet as following figure:



5.6 Startup and Turn-on Delay

Power supply shall be able to start up into a resistive load up to the maximum rated current. The elapsed time between the application of input power and the attainment of output voltage to the nominal value shall not exceed 1 second.

5.7 Short-Circuit Protection

The power supply shall withstand a continuous output without damage. The short may be applied before power-up, or after power-up. The power supply shall resume normal operation after the short is removed.

5.8 MTBF

The mean time between failure should not be less than 200,000 hours.

6 **Sicherheitsanleitung / Safety details:**

Sicherheitsaufbau nach / Safety-standard: EN60950-1
 acc. to

Schutzklasse / Protection class : II

Trennung (prim.-sek.) : Galvanisch durch Wandler

Separation (prim.-sec.) : Galvanic by transformer

Kriech- und Luftstrecken / Creepage
 distance and clearance : \geq Kr : 6.4mm, Lu : 4mm ; Cr : 6.4mm, Cl : 4mm

Ableitstrom : I Ableit \leq 250 μ A
 Gemessen nach EN60950-1 siehe www.friwo.de

Leakage current : I leak \leq 250 μ A
 According to EN60950-1 see www.friwo.de

Hochspannungstest / High-voltage test : \geq 3kVac

Anwendungsbereich : Einrichtungen der Informationstechnik, einschließlich elektrische
 Büromaschinen

Range of application : Information Technology Equipment including electrical office
 equipment

Umgebungstemperatur / Ambient
 temperature range : 0°C bis / to +40°C

7 CE-Konformitätserklärung / Declaration of Conformity

Wir, der Hersteller, erklären hiermit, dass das Produkt: /
We, the manufacturer, hereby confirm, that the product:

Gerätetyp / Type: FW7710/UK/0.7

Artikel-Nr. / Part-No.: 1832723

Zeichnungs-Nr. / Drawing-No.: 15.3126.511-00

weitere Merkmale /
additional information:

mit der beiliegenden Beschreibung die Anforderungen der Niederspannungsrichtlinie 2006/95/EG,
 der EMV-Richtlinie 2004/108/EG und Öko-Design Richtlinie 2009/125/EG erfüllt.

*with the enclosed description fulfils the requirements of the Low Voltage Directive 2006/95/EC, the regulations
 of the EMC Directive 2004/108/EC
 and the eco design Directive 2009/125/EC.*

Das Gerät entspricht der / *The unit corresponds to:*

a) Niederspannungsrichtlinie /
Low Voltage Directive

EN 60950-1 11/2006

b) EMV-Richtlinie /
EMC Directive

EN 55022 05/2008
 EN 55024 10/2003

c) Öko Design /
ECO Design

Step 2

Ausstelldatum / *Date of issue:*



Quality Manager

i. A. Klaus Dieter Bischoff



Firmenstempel / Company stamp



Manager Product Design FPS

i. V. Armin Wegener

8 Links & Miscellaneous

EMC-specification

8.1 Noise-suppressed: acc. to EN55024 ,55022/B and FCC part 15 B

8.2 Immunity to electrostatic discharge (ESD): acc. to EN 61000-4-2

| Discharge characteristic | Test level | Assessment criteria U _{in} 120Vac | Assessment criteria U _{in} 230Vac |
|--------------------------|------------|--|--|
| Air discharge | ±8KV | B | B |
| Contact discharge | ±4KV | B | B |
| Indirect discharge | ±8KV | B | B |

8.3 Immunity to radiated electromagnetic field: acc. to EN 61000-4-3 Test characteristic: 80 - 1000 MHz; 80% AM (1 kHz)

| Test level | Assessment criteria |
|------------|---------------------|
| 3V/m | A |

8.4 Immunity to fast electric transients (burst): acc. to EN 61000-4-4

| Coupling | Test level | assessment criteria U _{in} 120Vac | assessment criteria U _{in} 230Vac |
|---------------------------------------|------------|--|--|
| AC-input | 2KV | B | B |
| DC-output (capacitive coupling clamp) | 2KV | B | B |

8.5 Surge capability: acc. to EN 61000-4-5

| Surge voltage | assessment criteria U _{in} 120Vac | assessment criteria U _{in} 230Vac |
|---------------|--|--|
| 1KV | B | B |

8.6 Immunity to conducted disturbances, induced by radio frequency fields: acc. to EN 61000-4-6

| Test level | Assessment criteria |
|------------|---------------------|
| 3V | A |

8.7 Immunity to voltage dips, short interruptions and voltage variations.

Test acc. to EN 61000-4-11

Test performed at U_{in} = 120Vac/230VAC

Voltage dips

| Test level % U _N | Voltage dips and short interruptions | duration time of voltage dips (in halfsine) | Test result U _{in} 120Vac | Test result U _{in} 230Vac |
|-----------------------------|--------------------------------------|---|------------------------------------|------------------------------------|
| 0 | 100 | 0.5 | A | A |
| 40 | 60 | 1 | B | A |
| | | 5 | B | B |
| | | 10 | B | B |
| | | 25 | B | B |
| | | 50 | B | B |

8.8 Assessment criteria

a. Agreed operational behaviour within the specified limits.

b. Time limited functional diminshment of malfunction during the tests is permitted. The function is self-reactivated by the unit following completion of the tests.

c. Malfunction is permitted. The function can be reactivated either by reconnection to the mains or by operator intervention.