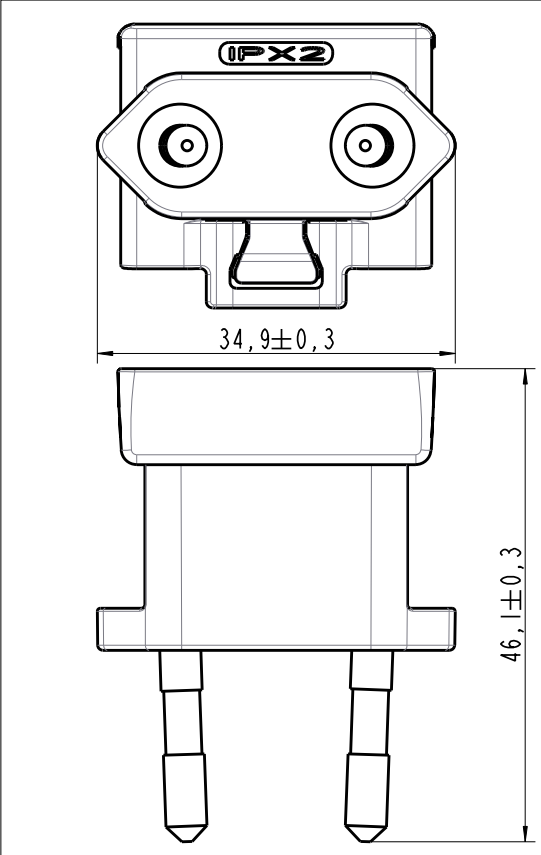


IPX0 Adaptor

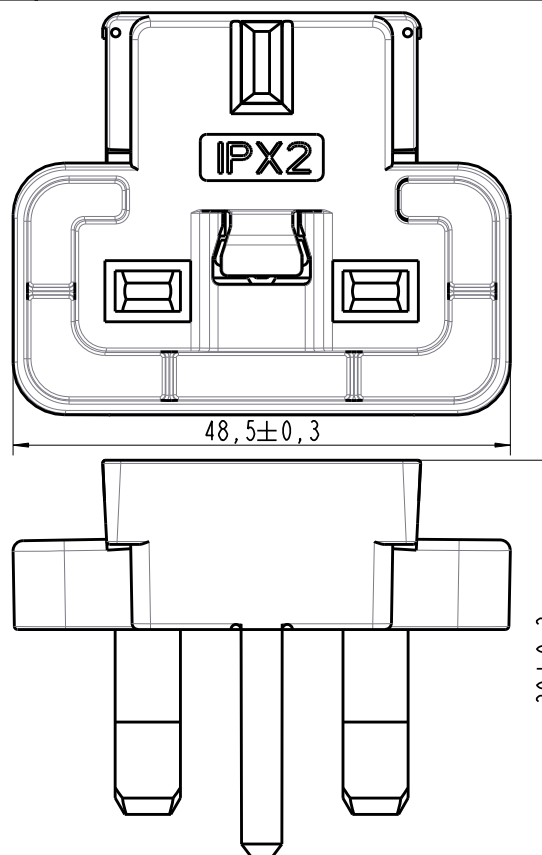
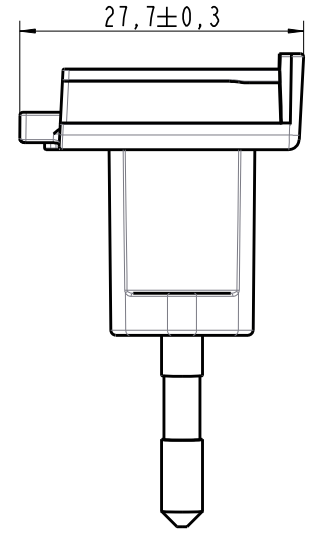
Region	Color	Description	Part number
Euro	Black	Adaptor EU FOX	1844847
		Adaptor EU FOX packed	1847556
	White	Adaptor EU FOX	1847530
		Adaptor EU FOX packed	1847531
UK	Black	Adaptor UK FOX assembled	1845675
		Adaptor UK FOX assembled packed	1847544
	White	Adaptor UK FOX assembled	1847518
		Adaptor UK FOX assembled packed	1847543
US	Black	Adaptor US FOX	1844852
		Adaptor US FOX packed	1847554
	White	Adaptor US FOX	1847528
		Adaptor EU FOX packed	1847533
Aus	Black	Adaptor AU FOX	1844853
		Adaptor AU FOX packed	1847527
	White	Adaptor AU FOX	1847553
		Adaptor AU FOX packed	1847534
IEC C8	Black	Adaptor IEC FOX	1844854
		Adaptor IEC FOX packed	1847552
	White	Adaptor IEC FOX	1847526
		Adaptor IEC FOX packed	1847535
Arg	Black	Adaptor AR FOX	1844869
		Adaptor AR FOX packed	1847548
	White	Adaptor AR FOX	1847523
		Adaptor AR FOX packed	1847538
India 2P	Black	Adaptor IN2 FOX	1844870
		Adaptor IN2 FOX packed	1847547
	White	Adaptor IN2 FOX	1847521
		Adaptor IN2 FOX packed	1847540
India 3P	Black	Adaptor IN3 FOX	1844871
		Adaptor IN3 FOX packed	1847546
	White	Adaptor IN3 FOX	1847520
		Adaptor IN3 FOX packed	1847541
Brazil	Black	Adaptor BR FOX	1844855
		Adaptor BR FOX packed	1847551
	White	Adaptor BR FOX	1847525
		Adaptor BR FOX packed	1847536
Korea	Black	Adaptor KR FOX	1844872
		Adaptor KR FOX packed	1847545
	White	Adaptor KR FOX	1847519
		Adaptor KR FOX packed	1847542
CN	Black	Adaptor CN FOX	1844856
		Adaptor CN FOX packed	1847550
	White	Adaptor CN FOX	1847524
		Adaptor CN FOX packed	1847537
South Africa	Black	Adaptor SA FOX	1844857
		Adaptor SA FOX packed	1847549
	White	Adaptor SA FOX	1847522
		Adaptor SA FOX packed	1847539

General Tolerance		Scale	Filename: 1_4601_489_01	Part No.:
		1:1	(Material)	
2017	Date	Name	(Description)	
Author	2017.05.31	weihua	FOX AC adaptor summary	
Appr.				
Archiving No.			(Drawing No.)	Sheet
			1.4601.489-01	1
			sub. for:	2 Bl.
Ver.	Change Note	Date	Name	

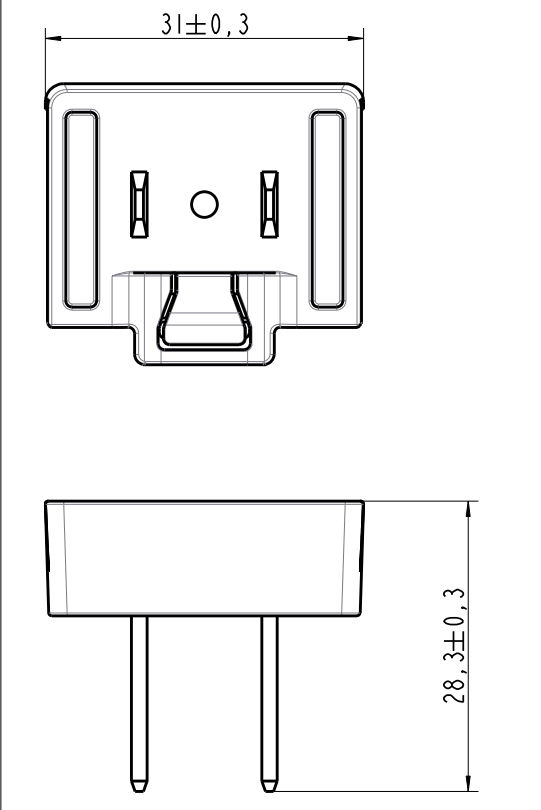
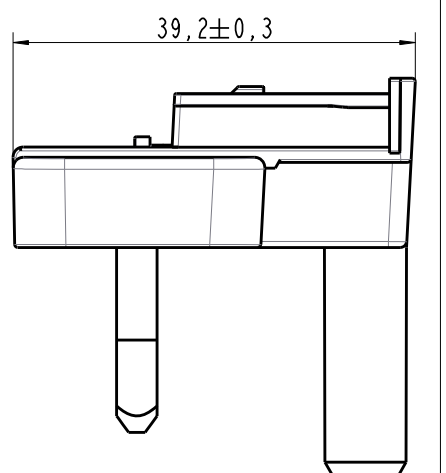
Copying of this document, and giving it to others and the use or communication of the contents thereof, are forbidden without express authority. Offenders are liable to the payment of damages. All rights are reserved in the event of the grant of a patent or the registration of a utility model or design.



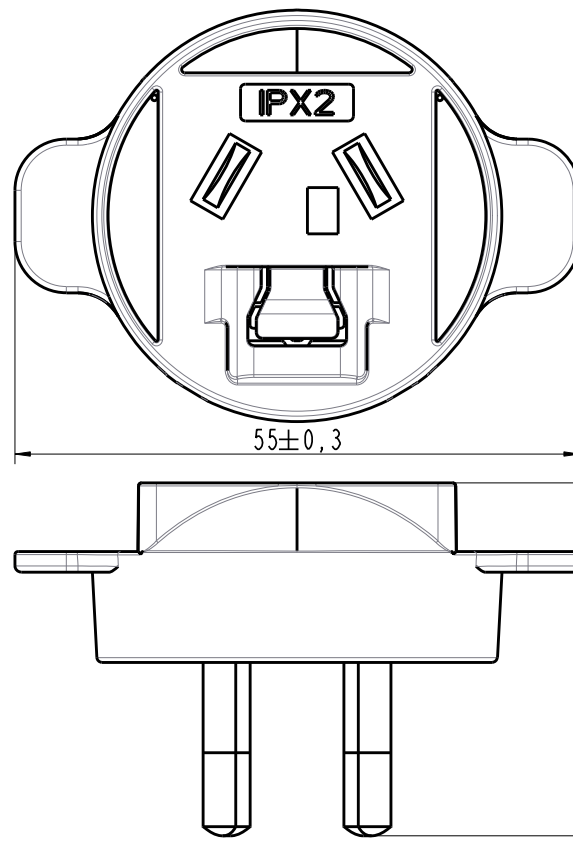
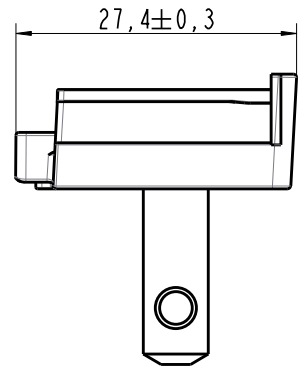
Euro IPX2		
Color	Description	Part number
Black	Adapter EU FOX IPX2 15.4360.531-177 black	1845799
	Adapter EU FOX IPX2 packed 15.4360.531-177 black	1847618
White	Adapter EU FOX IPX2 15.4360.531-234 white	1847566
	Adapter EU FOX IPX2 packed 15.4360.531-234 white	1847617



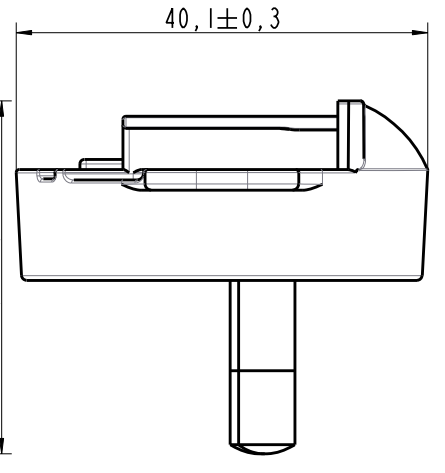
UK IPX2		
Color	Description	Part number
Black	Adapter UK FOX assembled IPX2 15.4361.831-177 black	1847579
	Adapter UK FOX assembled packed IPX2 15.4361.831-177 black	1847606
White	Adapter UK FOX assembled IPX2 15.4361.831-234 white	1847578
	Adapter UK FOX assembled packed IPX2 15.4361.831-234 white	1847605



US IPX2		
Color	Description	Part number
Black	Adapter US FOX IPX2 15.4362.531-177 black	1847589
	Adapter US FOX IPX2 packed 15.4362.531-177 black	1847604
White	Adapter US FOX IPX2 15.4362.531-234 white	1847568
	Adapter US FOX IPX2 packed 15.4362.531-234 white	1847603



AUS IPX2		
Color	Description	Part number
Black	Adapter AU FOX IPX2 15.4363.531-177 black	1847588
	Adapter AU FOX IPX2 packed 15.4363.531-177 black	1847624
White	Adapter AU FOX IPX2 15.4363.531-234 white	1847569
	Adapter AU FOX IPX2 packed 15.4363.531-234 white	1847623



IPX2 Adaptor

Copying of this document, and giving it to others and the use or communication of the contents thereof, are forbidden without express authority. Offenders are liable to the payment of damages. All rights are reserved in the event of the grant of a patent or the registration of a utility model or design.

General Tolerance	Scale	Filename: 1_4601.489.01	Part No.:
	1:1	(Material)	
2017 Date	Name	(Description)	
Author 2017.05.31	weihua	FOX AC adaptor summary	
Appr.			
Archiving No.		(Drawing No.)	
		1.4601.489-01	Sheet
Ver. Change Note	Date Name	sub. for:	2
			2 Bl.

FRIWO