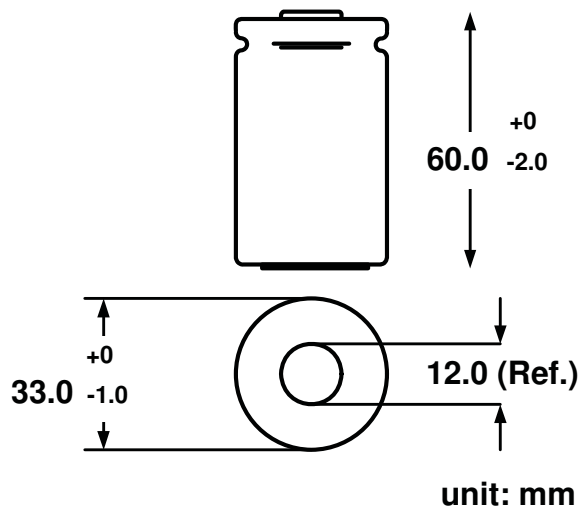
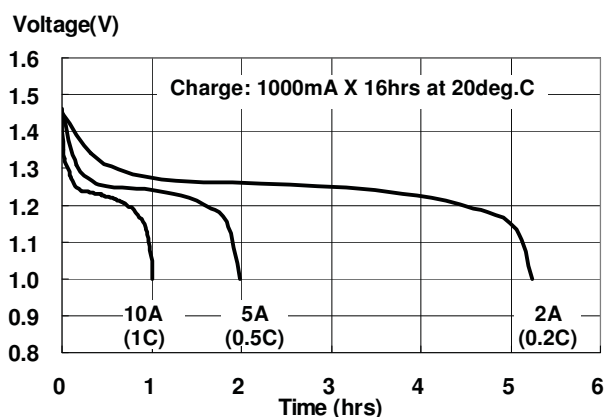


### Model No.: GP1000DH

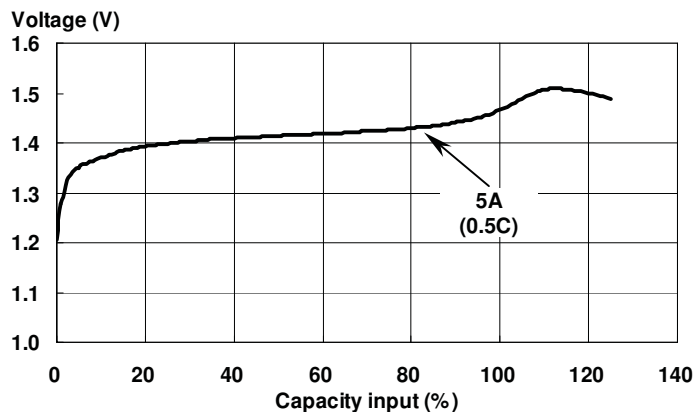
<b>Type</b>	: Rechargeable Nickel Metal Hydride Cylindrical Cell
<b>Nominal Dimension (with Sleeve)</b>	: $\Phi = 33.0\text{mm}$ H = 60.0mm
<b>Applications</b>	: Recommended discharge current 2000mA to 50A
<b>Nominal Voltage</b>	: 1.2V
<b>Capacity</b>	: Nominal: 10000mAh Minimum: 10000mAh Typical: 10250mAh When discharged at 2000mA to 1.0V at 20°C
<b>Charging Condition</b>	: 1000mA for 16 hrs at 20°C
<b>Fast Charge</b>	: 2.0A to 5.0A (0.2C to 0.5C) With charge termination control Recommended control parameters: - $\Delta V$ : 0-5mV dT/dt : 0.8°C/min (0.5C) TCO : 50 - 55°C Timer : 105% nominal input ( For ref. only)
<b>Service Life</b>	: >500 cycles (IEC 61951-2)
<b>Continuous Overcharge</b>	: 1000mA maximum current for 1 year. No conspicuous deformation and/or leakage
<b>Weight</b>	: 175g
<b>Internal Resistance</b>	: Average 6m $\Omega$ upon fully charged (Range 4 - 8m $\Omega$ ) at 1000Hz
<b>Max. Charging Voltage</b>	: 1.5V at 1000mA charging
<b>Ambient Temperature Range</b>	: Standard Charge : 0 to 40°C Fast Charging : 10 to 40°C Discharge : -20 to 50°C Storage : -20 to 35°C Storage (1 week): -20 to 60°C



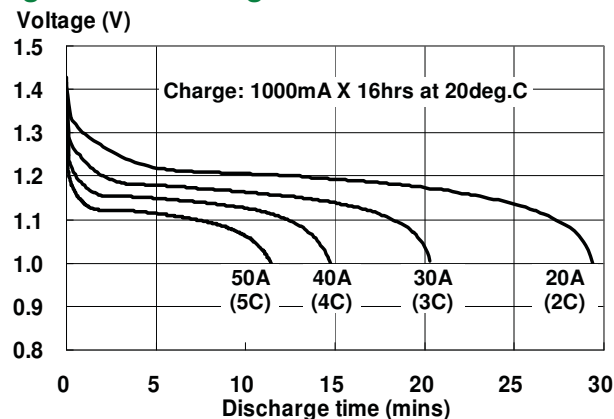
### Low Rate Discharge



### Fast Charge (charge control required)



### High Rate Discharge



The information (subject to change without prior notice) contained in this document is for reference only and should not be used as a basis for product guarantee or warranty. For applications other than those described here, please consult your nearest GP Sales and Marketing Office or Distributors.

ZRS5024 rev.01