

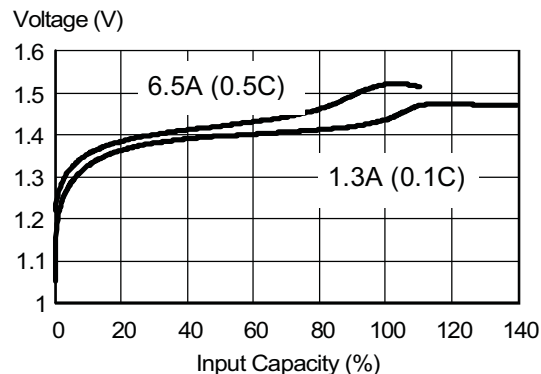
GP Batteries

Data Sheet

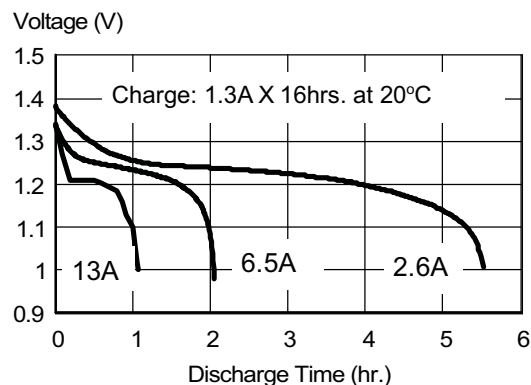
Model No.: GP1300FH

Type	: Rechargeable Nickel Metal Hydrid Cylindrical Cell
Model	: GP1300FH
Nominal Dimension (with Sleeve)	: $\varnothing = 33.0\text{mm}$ H = 90mm
Application	: Recommended discharge current 2600mA to 39A
Nominal Voltage	: 1.2V
Nominal Capacity	: Min.: 13000 mAh Typical: 13650 mAh when discharged at 2600mA to 1.0V at 20°C
Charging Condition	: 1.3A for 16 hrs at 20°C
Charge Control	: 1.3A to 3.9A (0.1C to 0.3C) with charge termination control Recommended control parameter: -delta V: 0 - 5mV dT/dt: 0.8 deg.C/min TCO: 45-55 deg. C Timer: 105% nominal input
Service Life	: >500 cycles (IEC standard)
Continuous Overcharge	: 1300mA maximum current No conspicuous deformation and /or leakage
Weight	: 247g
Internal Resistance	: Average 7m Ω upon fully charged (Range : 5-9m Ω) at 1000Hz
Max. Charging Voltage	: 1.5V at 1.3A charging
Temperature Range	: Standard charging : 0 to 40°C Fast charging : 10 to 40°C Discharging : -20 to 50°C Storage : -20 to 35°C Storage (1 week) : -20 to 60°C

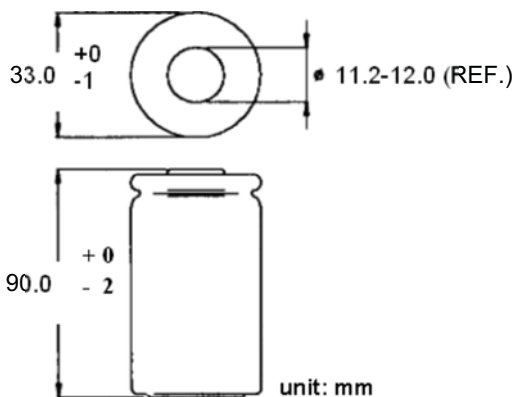
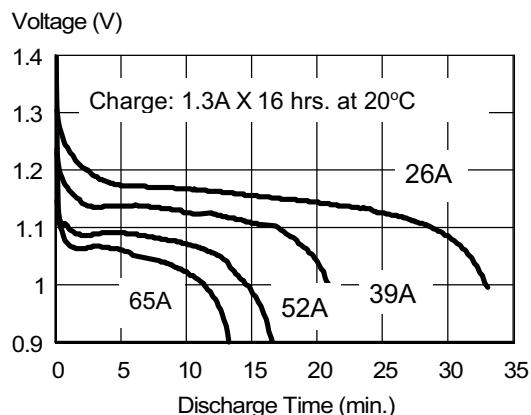
Fast Rate Charge



Low Rate Discharge



High Rate Discharge



* The information (subject to change without prior notice) contained in this document is for reference only and should not be used as a basis for product described guarantee or warranty. For applications other than those here, please consult your nearest GP Sales and Marketing Office or Distributors.