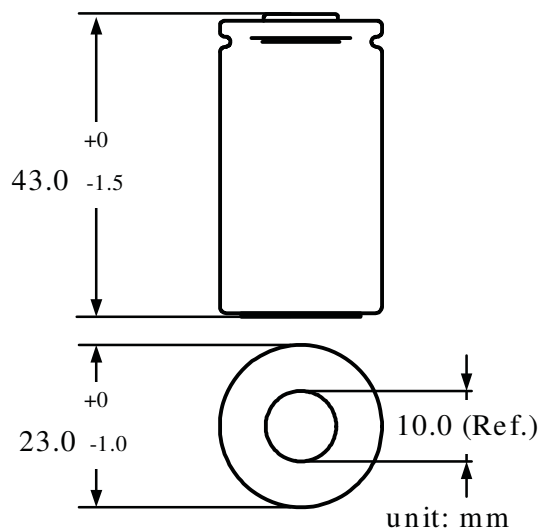
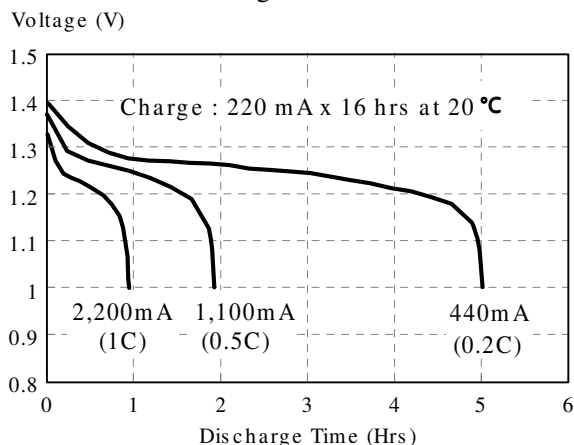


Model No.: **GP220SCH**

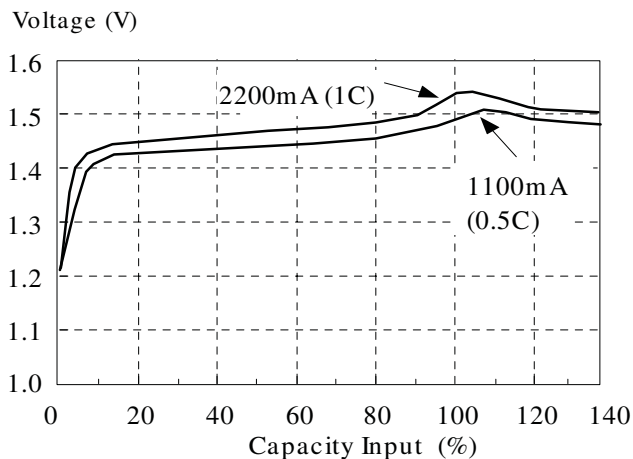
|                                 |   |
|---------------------------------|---|
| Type                            | : Rechargeable Nickel Metal Hydride Cylindrical Cell  |
| Nominal Dimension (with Sleeve) | : $\Phi = 23.0\text{mm}$<br>H = 43.0mm  |
| Applications                    | : Recommended discharge current 220mA to 22A  |
| Nominal Voltage                 | : 1.2V  |
| Capacity                        | : Nominal: 2200mAh<br>Minimum: 2200mAh<br>Typical: 2310mAh<br>when discharged at 440mA to 1.0V at 20°C  |
| Charging Condition              | : 220mA for 16 hrs at 20°C  |
| Fast Charge                     | : 1100mA to 2200mA (0.5 to 1C)<br>charge termination control recommended<br>control parameters:<br>- $\Delta V$ : 0-5mV<br>DT/dt : 0.8°C/min (0.5 to 0.9C)<br>0.8 - 1°C/min (1C)<br>TCO : 45 - 50°C<br>Timer : 105% nominal input (for ref. only) |
| Service Life                    | : >500 cycles (IEC standard)  |
| Continuous Overcharge           | : 220mA maximum current for 1 year.<br>No conspicuous deformation and/or Leakage  |
| Weight                          | : 55.0g   |
| Internal Resistance             | : Average 7m $\Omega$ upon fully charged (Max 8m $\Omega$ ) at 1000Hz   |
| Max. Charging Voltage           | : 1.5V at 220mA charging  |
| Ambient Temperature Range       | : Standard Charge : 0 to 40°C<br>Fast Charging : 10 to 40°C<br>Discharge : -20 to 50°C<br>Storage : -20 to 35°C<br>Storage (1 week) : -20 to 60°C   |



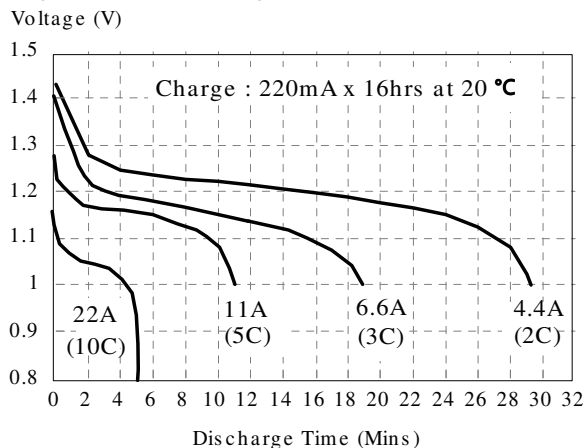
### Low Rate Discharge



### Fast Charge (Charge Control required)



### High Rate Discharge



The information (subject to change without prior notice) contained in this document is for reference only and should not be used as a basis for product guarantee or warranty. For applications other than those described here, please consult your nearest GP Sales and Marketing Office or Distributors.

MRS1038 rev.00