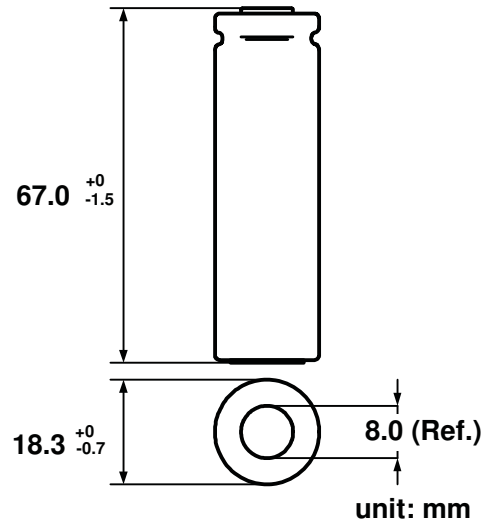
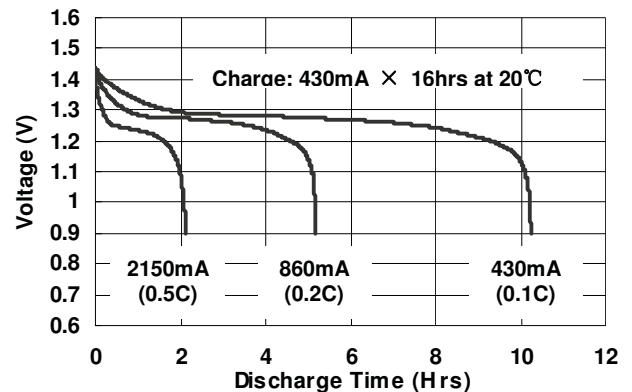


Model No.: GP450LAH

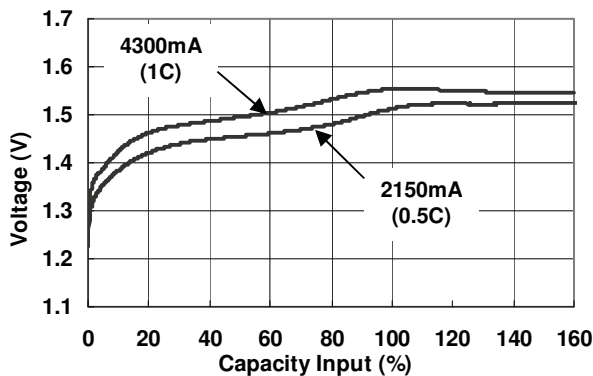
Type	: Rechargeable Nickel Metal Hydride Cylindrical Cell
Nominal Dimension (with Sleeve)	: $\Phi = 18.3\text{mm}$ H = 67.0mm
Applications	: Recommended discharge current: 430mA to 12900mA
Nominal Voltage	: 1.2V
Capacity	: Nominal: 4300mAh Minimum: 4300mAh Typical: 4500mAh When discharged at 860mA to 1.0V at 20°C
Charging Condition	: 430mA for 16hrs at 20°C
Fast Charge	: 2150mA to 4300mAh (0.5C to 1C) charge termination control recommended control parameters: - ΔV : 0-5mV DT/dt : 0.8°C/min(0.5 to 0.9C) 0.8 - 1°C/min(1C) TCO : 45-50°C Timer : 105% nominal input (for ref. only)
Service Life	: >500 cycles(IEC standard)
Continuous Overcharge	: 430mA maximum current for 1 year No conspicuous deformation and/or no leakage
Weight	: 63.0g
Internal Resistance	: Average 16 m Ω upon fully charged (Max. 25 m Ω) at 1000Hz
Max. Charging Voltage	: 1.5V at 430mA charging
Ambient Temperature Range	: Standard Charging : 0 to 45°C Fast Charging : 10 to 45°C Discharge : -20 to 50°C Storage : -20 to 35°C Storage (1 week) : -20 to 60°C



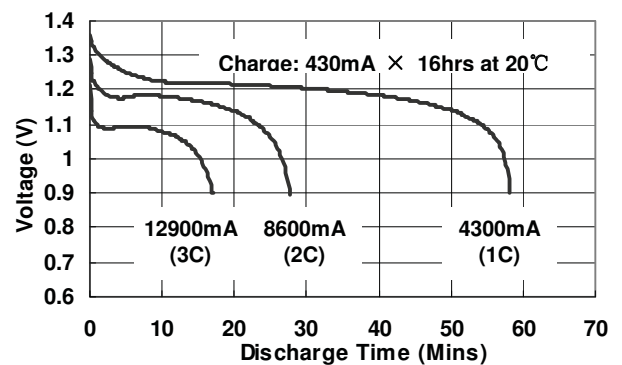
Low Rate Discharge



Fast Charge (Charge Control Required)



High Rate Discharge



The information (subject to change without prior notice) contained in this document is for reference only and should not be used as a basis for product guarantee or warranty. For applications other than those described here, please consult your nearest GP Sales and Marketing Office or Distributors.

MRS6073 rev02