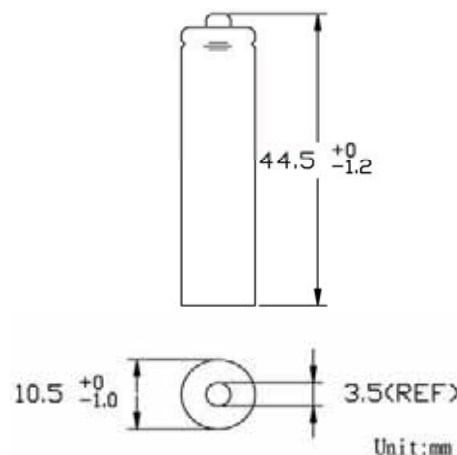
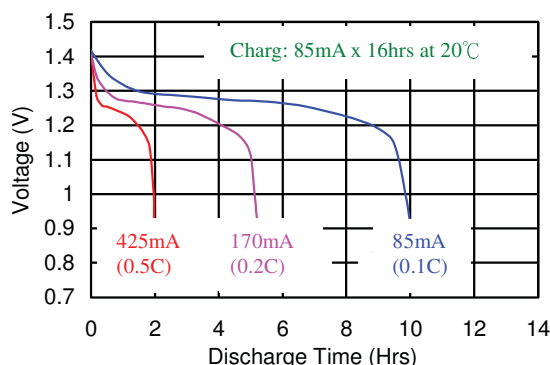


Model No.: GP85AAHC

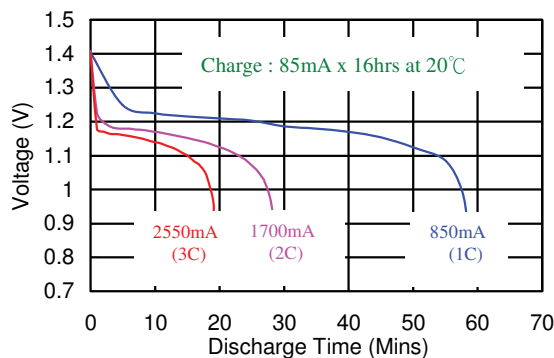
Type	: Rechargeable Nickel Metal Hydride Cylindrical Cell
Nominal Dimension (with Sleeve)	: $\Phi = 10.5\text{mm}$ H = 44.5mm
Applications	: Recommended discharge current 85 to 2550mA
Nominal Voltage	: 1.2V
Capacity	: Nominal: 850mAh Minimum: 850mAh Typical: 860mAh When discharged at 170mA to 1.0V at 20°C
Charge Retention	: 70% of nominal capacity after cell storage at 20°C for 6 months When discharged at 170mA to 1.0V at 20°C
Charging Condition	: 85mA for 16 hrs at 20°C
Fast Charge	: 425mA to 850mA (0.5 to 1C) charge termination control recommended control parameters: - ΔV : 0-5mV DT/dt : 0.8°C/min (0.5 to 0.9C) 0.8 - 1°C/min (1C) TCO : 45 - 50°C Timer : 105% nominal input (for ref. only)
Service Life	: >500 cycles (IEC standard)
Continuous Overcharge	: 85mA maximum current for 1 year. No conspicuous deformation and/or leakage
Weight	: 14.5g
Internal Resistance	: Average 40m Ω upon fully charged (Range 20 – 60m Ω) at 1000Hz
Max. Charging Voltage	: 1.5V at 85mA charging
Ambient Temperature Range	: Standard Charge : 0 to 45°C Fast Charging : 10 to 45°C Discharge : -20 to 50°C Storage : -20 to 30°C



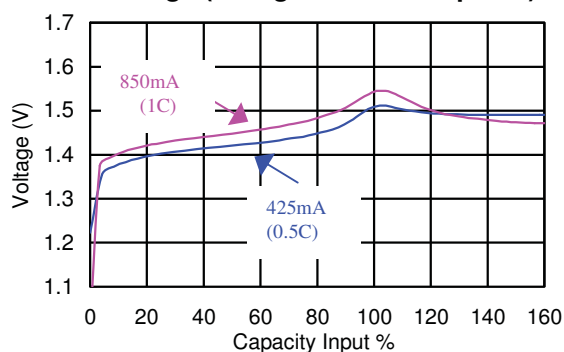
Low Rate Discharge



High Rate Discharge



Fast Charge (Charge Control Required)



The information (subject to change without prior notice) contained in this document is for reference only and should not be used as a basis for product guarantee or warranty. For applications other than those described here, please consult your nearest GP Sales and Marketing Office or Distributors.

TRS0340 Rev.14