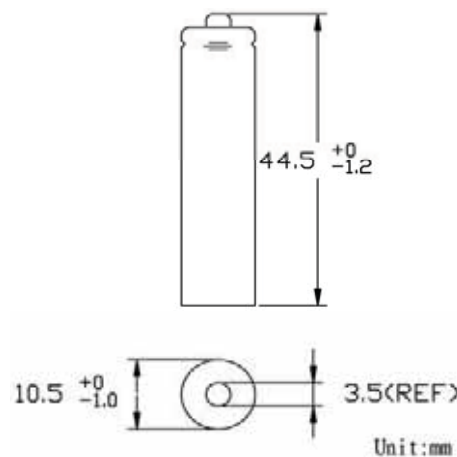
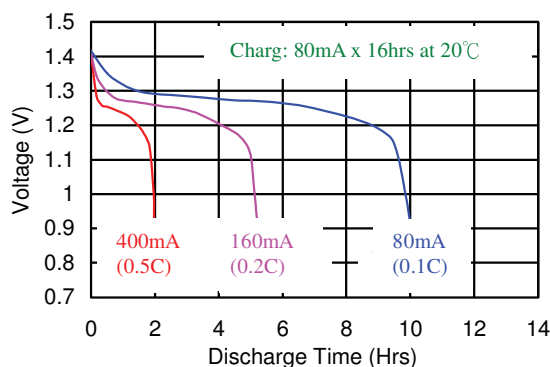


### Model No.: GP85AAAHCB

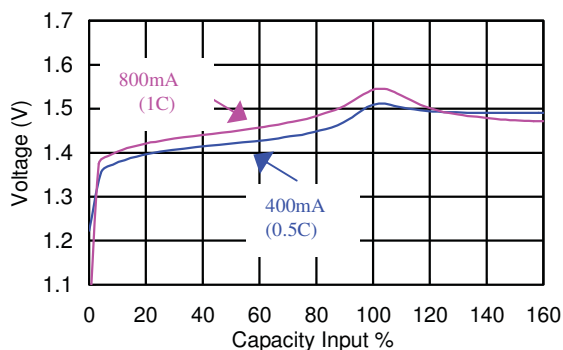
<b>Type</b>	: Rechargeable Nickel Metal Hydride Cylindrical Cell
<b>Nominal Dimension (with Sleeve)</b>	: $\Phi = 10.5\text{mm}$ H = 44.5mm
<b>Applications</b>	: Recommended discharge current 80 to 2400mA
<b>Nominal Voltage</b>	: 1.2V
<b>Capacity</b>	: Nominal: 800mAh Minimum: 800mAh Typical: 820mAh When discharged at 160mA to 1.0V at 20°C
<b>Charge Retention</b>	: 80% of nominal capacity after cell storage at 20°C for 24months When discharged at 160mA to 1.0V at 20°C
<b>Charging Condition</b>	: 80mA for 16 hrs at 20°C
<b>Fast Charge</b>	: 400mA to 800mA (0.5 to 1C) charge termination control recommended control parameters: - $\Delta V$ : 0-5mV DT/dt : 0.8°C/min (0.5 to 0.9C) 0.8 - 1°C/min (1C) TCO : 45 - 50°C Timer : 105% nominal input (for ref. only)
<b>Service Life</b>	: >1000 cycles (IEC standard)
<b>Continuous Overcharge</b>	: 80mA maximum current for 1 year. No conspicuous deformation and/or leakage
<b>Weight</b>	: 14.0g
<b>Internal Resistance</b>	: Average 40m $\Omega$ upon fully charged (Range 20 – 60m $\Omega$ ) at 1000Hz
<b>Max. Charging Voltage</b>	: 1.5V at 80mA charging
<b>Ambient Temperature Range</b>	: Standard Charge : 0 to 45°C Fast Charging : 10 to 45°C Discharge : -20 to 50°C Storage : -20 to 30°C



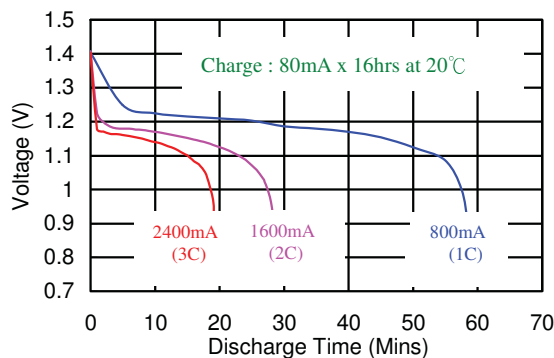
#### Low Rate Discharge



#### Fast Charge (Charge Control Required)



#### High Rate Discharge



The information (subject to change without prior notice) contained in this document is for reference only and should not be used as a basis for product guarantee or warranty. For applications other than those described here, please consult your nearest GP Sales and Marketing Office or Distributors.

TRS0494-Rev.07