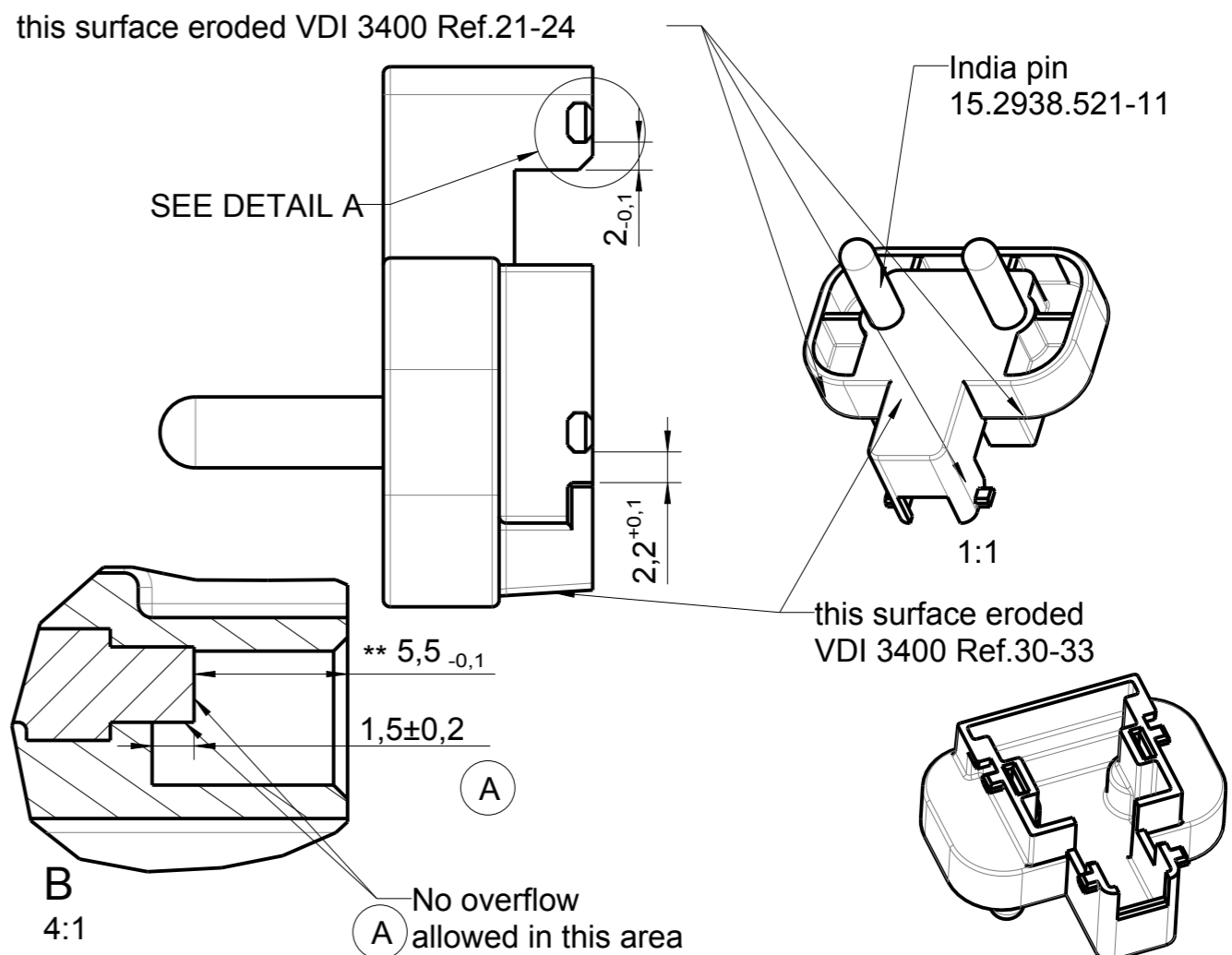
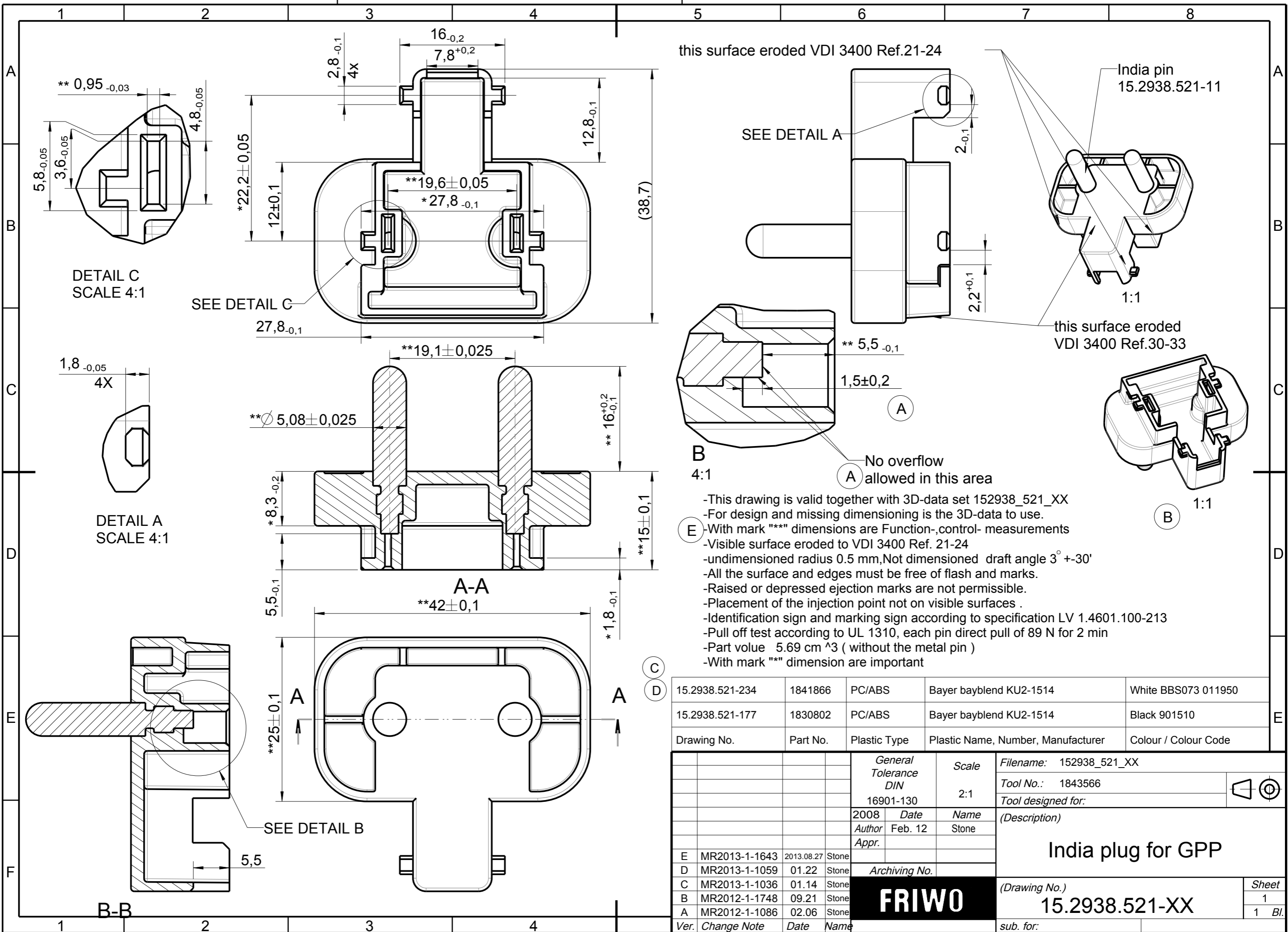


Copying of this document, and giving it to others and the use or communication of the contents thereof, are forbidden without express authority. Offenders are liable to the payment of damages. All rights are reserved in the event of the grant of a patent or the registration of a utility model or design.



- This drawing is valid together with 3D-data set 152938_521_XX
- For design and missing dimensioning is the 3D-data to use.
- With mark "****" dimensions are Function-,control- measurements
- Visible surface eroded to VDI 3400 Ref. 21-24
- undimensioned radius 0.5 mm, Not dimensioned draft angle 3° +30°
- All the surface and edges must be free of flash and marks.
- Raised or depressed ejection marks are not permissible.
- Placement of the injection point not on visible surfaces .
- Identification sign and marking sign according to specification LV 1.4601.100-213
- Pull off test according to UL 1310, each pin direct pull of 89 N for 2 min
- Part volue 5.69 cm ^3 (without the metal pin)
- With mark "****" dimension are important

15.2938.521-234	1841866	PC/ABS	Bayer bayblend KU2-1514	White BBS073 011950
15.2938.521-177	1830802	PC/ABS	Bayer bayblend KU2-1514	Black 901510
Drawing No.	Part No.	Plastic Type	Plastic Name, Number, Manufacturer	Colour / Colour Code
		General Tolerance DIN	Scale	Filename: 152938_521_XX
		16901-130	2:1	Tool No.: 1843566
		2008	Date	Tool designed for:
		Author	Feb. 12	(Description)
		Appr.	Stone	India plug for GPP
		Archiving No.		
E	MR2013-1-1643	2013.08.27	Stone	(Drawing No.)
D	MR2013-1-1059	01.22	Stone	15.2938.521-XX
C	MR2013-1-1036	01.14	Stone	Sheet
B	MR2012-1-1748	09.21	Stone	1
A	MR2012-1-1086	02.06	Stone	1 Bl.
Ver.	Change Note	Date	Name	sub. for:

FRIWO