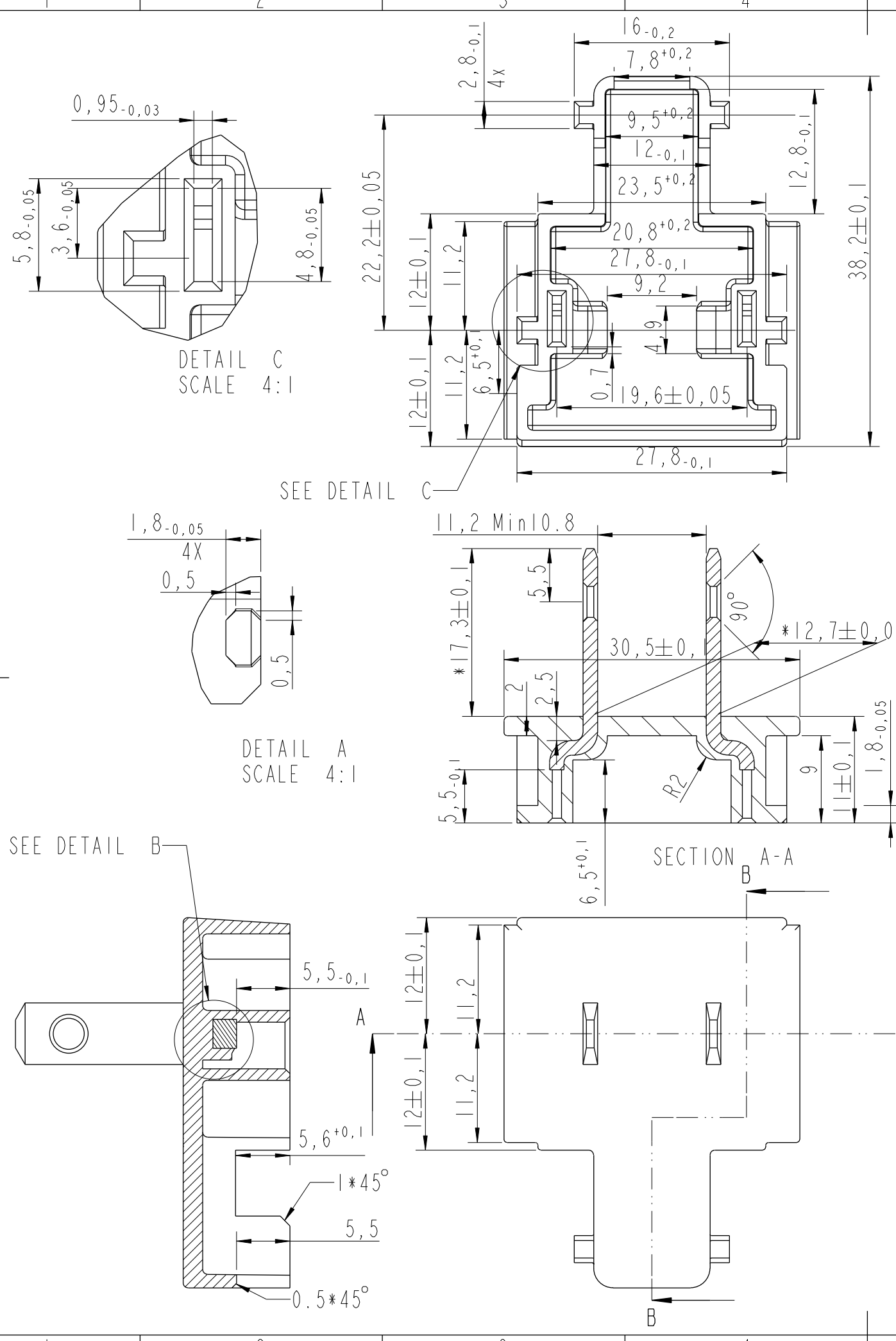
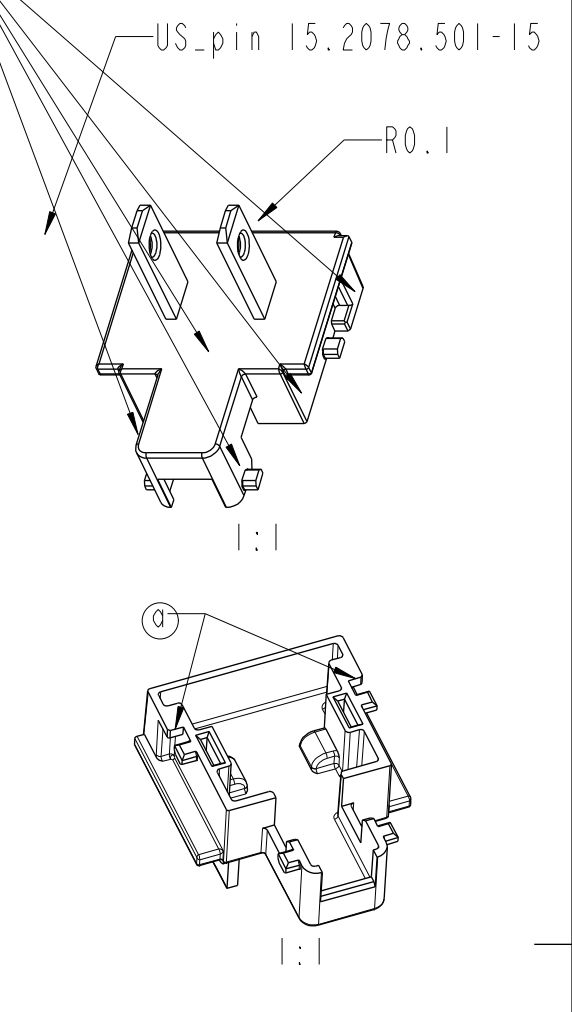
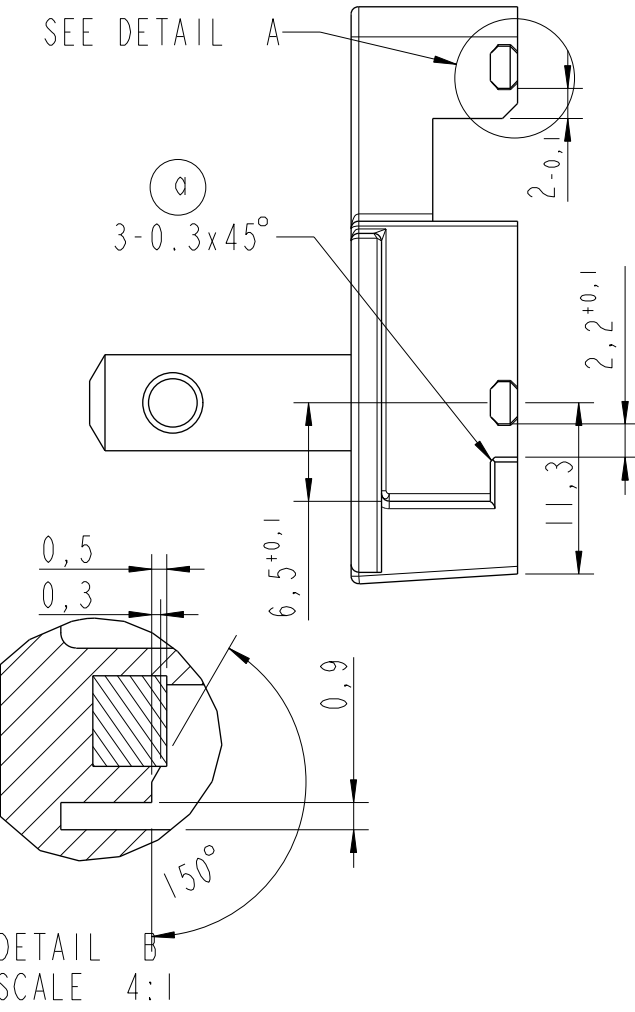


Copying of this document, and giving it to others and the use or communication of the contents thereof, are forbidden without express authority. Offenders are liable to the payment of damages. All rights are reserved in the event of the grant of a patent or the registration of a utility model or design.



this surface eroded VDI 3400 Ref. 30-33



- Visible surface eroded to VDI 3400 Ref. 21-24
- undimensioned radius 0.5 mm, Not dimensioned draft angle 3°±30°
- Outside draft angle 2°, inner draft angle 0.5°
- All the surface and edges must be free of flash and marks.
- Raised or depressed ejection marks are not permissible.
- Placement of the injection point not on visible surfaces.
- Identification sign and marking sign according to specification LV 1.4601.100-213
- Pull off test according to UL 1310, each pin direct pull of 89 N for 2 min
- Part volue 3.473 cm³ (without the metal pin)
- * dimensions are safety dimensions

15.2078.501-177	1827727	PC/ABS	Bayer bayblend KU2-1514	Black 901510
Drawing No.	Part No.	Plastic Type	Plastic Name, Number, Manufacturer	Colour / Colour Code
		General Tolerance DIN 16901-130	Scale 2:1	Filename: 15_2078_501_XX Part No.:
		2003 Date	Name	(Material)
		Author Dec,14	yonggui.wu	Tool designed for:
		Appr.		(Description)
		Archiving No.		USA PLUG FOR GPP
				(Drawing No.)
a	07.17			15.2078.501-xx
Ver.	Change Note	Date	Name	Sheet 1 of 1
			FRIWO Power Solutions	sub. for: